



Specifications

M-25 Meter

Liquid Controls M and MA Series rotary motion positive displacement (PD) meters offer the ultimate in measurement accuracy for custody transfer of petroleum products, aviation fuels, LPG and a broad of industrial liquids.

Superior performance features

Low pressure drop – will operate on gravity flow or pump pressure.

Sustained accuracy – no metal-to-metal contact inside the measuring chamber means minimal wear and deterioration in accuracy over time, fewer recalibrations and a longer service life. Meters conform to NIST and International Weight and Measures accuracy requirements.

Wide viscosity range – LCE meters can accurately meter products from less than 30 SSU (1 cP) to 1500000 SSU (325000 cP).

Maximum adaptability - choice of stock or custom elbows/fittings provides unequalled mounting flexibility to meet widely varying installation requirements.

Industries served

LC series M and MA meters are well-suited for use in industries requiring precise flow measurement and reliable, extended service life:

- Refined petroleum products
- Aviation fuels
- LPG
- Agricultural chemicals
- Paints and coatings
- Foods and beverages
- Petrochemicals
- Pharmaceuticals
- Cosmetics
- Printing inks
- Textiles

Accuracy/Performance

Repeatability

Mechanical registration: capable of 0.05% of reading over entire range
Electronic registration: capable of 0.03% of reading over entire range

Linearity

Over 5:1 range

Mech. registration: capable of $\pm 0.125\%$ or better from max. nom. flow rate
Elect. registration: capable of $\pm 0.10\%$ or better from max. nom. flow rate

Over 10:1 range

Mech. registration: capable of $\pm 0.22\%$ or better from max. nom. flow rate
Elect. registration: capable of $\pm 0.10\%$ or better from max. nom. flow rate

Over 40:1 range

Mech. registration: capable of $\pm 0.5\%$ or better from max. nom. flow rate
Elect. registration: capable of $\pm 0.15\%$ or better from max. nom. flow rate

Temperature range

-40° F to 160° F (-40° C to 71° C)

Construction

Meter housing and rotors
Cast aluminum (other metallurgies, available including brass, cast-iron and stainless steel)

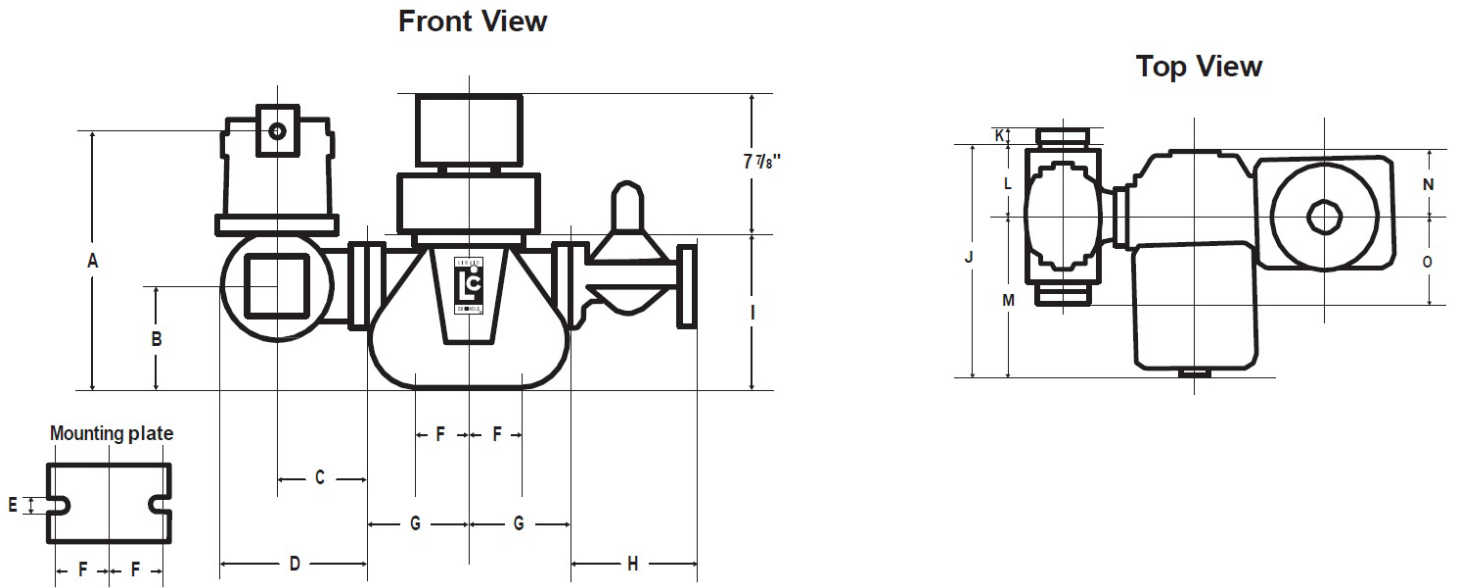
Internal components
Aluminum, Ni-Resist, stainless steel

Seal material
UL recognize component:
Buna-N, Viton, Teflon

Bearings
Carbon, Teflon, Ni-Resist

Dimensions: flow meters with electronic registration

Note: Dimensions shown are not for construction use. Consult factory when certified engineering prints are required.



| Model | Flange size | Max nom. Flow rate | Working pressure | Net weight | Dimensions | | | | | | |
|-------|-------------|-------------------------|-----------------------|---------------------|------------|-----|-----|-----|-----|-----|-----|
| | | | | | A | B | C | D | E | F | |
| M-25 | 3" | 1150 l/min (304 GPM) | 10,5 bar (150 PSI) | 16,8 kg (37 lbs) | in | 17 | 7.5 | 5 | 7.7 | .69 | 3.8 |
| | | | | | mm | 432 | 191 | 127 | 195 | 17 | 95 |

| Dimensions | | | | | | | | | |
|------------|-----|-----|------|------|-----|-----|------|-----|-----|
| | G | H | I | J | K | L | M | N | O |
| in | 5.5 | n/a | 10.8 | 16.1 | 1.3 | 5 | 11.1 | 5.1 | 6.5 |
| mm | 140 | n/a | 273 | 410 | 32 | 127 | 238 | 129 | 165 |

Construction and application classes

LC series M and MA PD meters are suitable for metering a broad range of products as listed below. The appropriate meter class can be used to specify a desired meter by using the table on the next page of this publication.

| Class | Description | Bearing Material |
|-------|--|------------------|
| 1 | Refined petroleum products | Ni-Resist |
| 2 | Aviation and jet fuel | Ni-Resist |
| 3 | Variety of product includes: liquid sugars, sweeteners, syrups, vegetable oils | Ni-Resist |
| 4 | Treated waters and solvents where no red metals are allowed | Carbon |
| 8 | Acid pH liquids includes: nitric, phosphoric, glacial acetic acids, citric juices, vinegar | Carbon |
| 14 | Crude oil | Ni-Resist |
| 16 | General solvents | Carbon |
| 30 | Herbicides | Carbon |



LIQUID CONTROLS EUROPE

Manufactured by SAMPI

A Unit of IDEX Corporation

S.A.M.P.I. spa - Via Amerigo Vespucci, 1

55011 Altopascio (Lucca) - ITALY

Phone: +39 0583 24751

Fax: +39 0583 264748